

# Midterm Exam S2

## Computer Architecture

Duration: 1 hr 30 min

Answer on the answer sheet only.

Do not show any calculation unless you are explicitly asked.

Do not use a pencil or red ink.

### Exercise 1 (5 points)

Answer on the [answer sheet](#). Let us consider the following **10-bit** binary number:  $1011101010_2$ .

1. Write down its hexadecimal representation.
2. Assuming that it is an unsigned integer, write down its decimal representation.
3. Assuming that it is a signed integer, write down its decimal representation.
  
4. Write down the 10-bit binary representation of the following unsigned number:  $2^{10}$ .
5. Write down the 10-bit binary representation of the following signed number:  $-2^{10}$ .
  
6. Determine the minimum number of bits required to encode the following unsigned number: **65,536?**
7. Determine the minimum number of bits required to encode the following signed number: **-65,536?**
8. Determine the minimum number of bits required to encode the following signed number: **65,536?**
  
9. How many bytes does the value **2 GiB** contain? Use a power-of-two notation.
10. How many bits does the value **512 MiB** contain? Use binary prefixes (Ki, Mi or Gi) and choose the most appropriate prefix so that the integer numerical value will be as small as possible.

### Exercise 2 (7 points)

1. Convert the numbers given on the [answer sheet](#) into their **single-precision** IEEE-754 representations. Write down the final result in its **binary form** and specify the three fields.
2. Convert the **double-precision** IEEE-754 words given on the [answer sheet](#) into their associated representations. If a representation is a number, use the base-10 following form:  $k \times 2^n$  where  $k$  and  $n$  are integers (either positive or negative).

**Exercise 3 (2 points)**

1. Draw the circuit diagram of a divide-by-two circuit by using only one master-slave D flip-flop. Answer on the [answer sheet](#).
1. Draw the circuit diagram of a divide-by-two circuit by using only one master-slave JK flip-flop. Answer on the [answer sheet](#).

**Exercise 4 (6 points)**

Complete the timing diagrams shown on the [answer sheet](#) (up to the last vertical dotted line) for the following circuits.

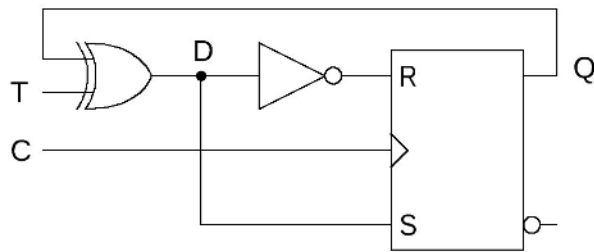


Figure 1

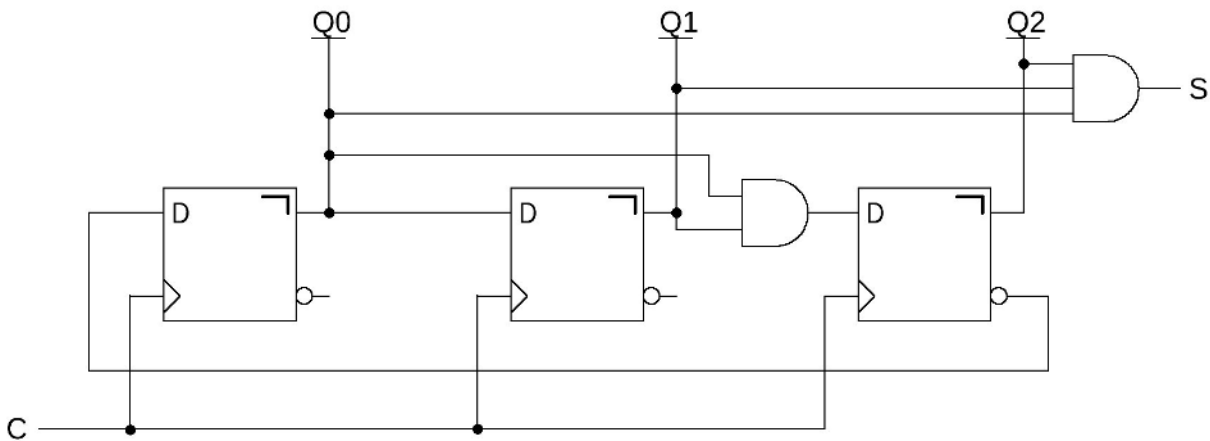


Figure 2

Last name: ..... First name: ..... Group: .....

**ANSWER SHEET**

**Exercise 1**

1.	6.
2.	7.
3.	8.
4.	9.
5.	10.

**Exercise 2**

1.

Number	S	E	M
-532			
1.03125			
0.03125			

2.

IEEE-754 Representation	Associated Representation
$4432000000000000_{16}$	
$FFF0000000000000_{16}$	
$7FF1000000000000_{16}$	
$000FF00000000000_{16}$	

**Exercise 3**

D Flip-Flop	JK Flip-Flop

**Exercise 4**

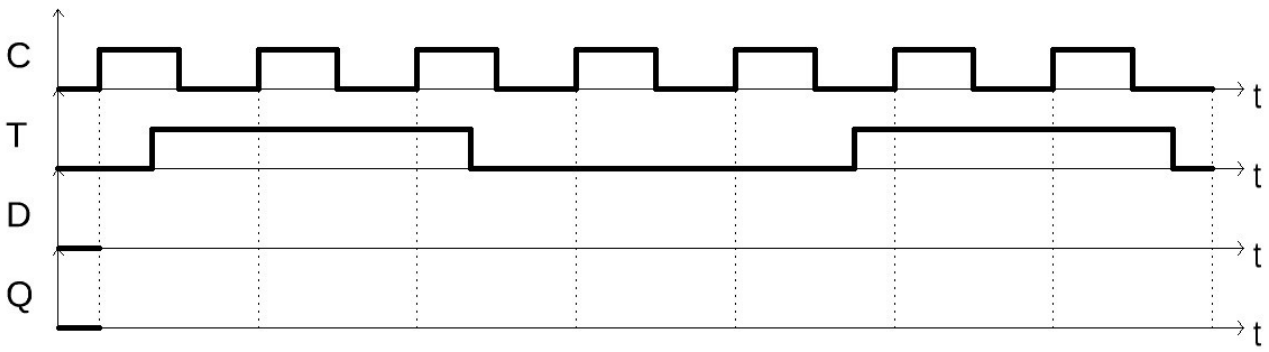


Figure 1

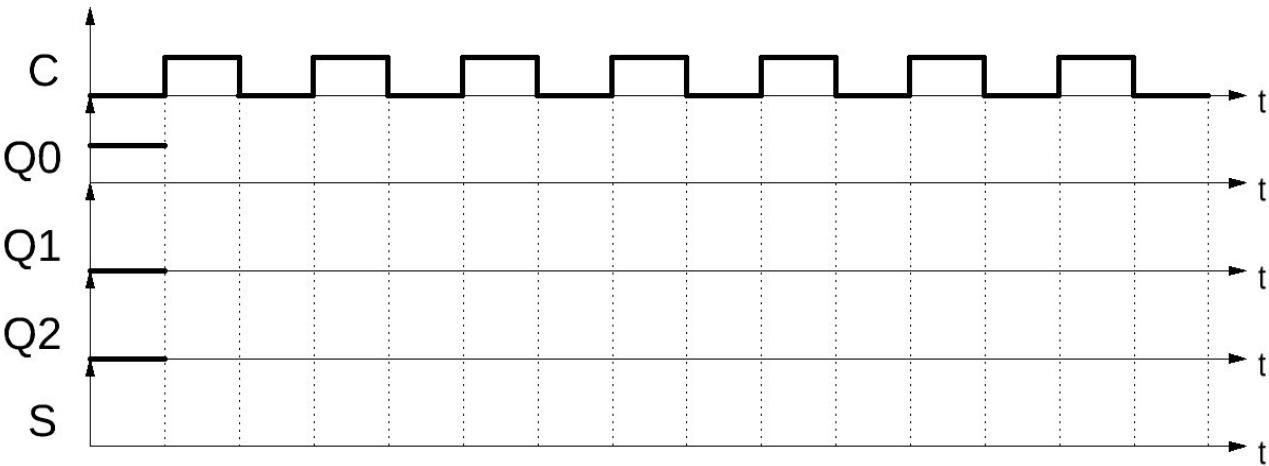


Figure 2

Feel free to use the blank space below if you need to: