

ALGO
QCM

1. Dans un arbre binaire, un noeud ne possédant pas de fils est appelé ?

- (a) une racine
- (b) noeud interne
- (c) noeud externe
- (d) feuille

2. Dans un arbre binaire, le bord gauche est toujours une branche ?

- (a) oui
- (b) non

3. Dans un arbre binaire, un noeud possédant deux fils est appelé ?

- (a) une feuille
- (b) noeud interne
- (c) noeud double
- (d) point simple à droite

4. Un arbre binaire est un arbre de taille ?

- (a) ≥ -1
- (b) ≥ 0
- (c) ≥ 1

5. Un arbre binaire localement complet est un arbre binaire dont ?

- (a) tous les noeuds sont simples
- (b) tous les niveaux sont remplis sauf le dernier rempli de gauche à droite
- (c) tous les noeuds sont doubles sauf sur le dernier niveau
- (d) tous les noeuds sont doubles

réponse : tous les noeuds internes sont doubles

Annulée

6. Un arbre binaire dont tous les noeuds sont simples est ?

- (a) dégénéré
- (b) parfait
- (c) complet
- (d) localement complet
- (e) filiforme

7. Si $LC(B)$ définit la longueur de cheminement de B (un arbre binaire), alors $PM(B)$ la profondeur moyenne de B est égale à ?
- (a) $LC(B)/f$ avec f le nombre de feuilles de B
 - (b) $LC(B)/n$ avec n le nombre de noeuds de B
 - (c) $LC(B)/n$ avec n le nombre de noeuds internes de B
 - (d) $LC(B).n$ avec n le nombre de noeuds de B
8. L'arbre défini par $B=\{E,0,1,00,01,10,11,000,001,101\}$ est ?
- (a) dégénéré
 - (b) parfait
 - (c) complet
 - (d) localement complet
 - (e) quelconque
9. Dans le parcours profondeur d'un arbre binaire, quel ordre n'est pas un ordre induit ?
- (a) Préfixe
 - (b) Infixe
 - (c) Intermédiaire
 - (d) Suffixe
10. Quel est la profondeur moyenne externe de L'arbre défini par $B=\{E,0,1,01,10,11,010,011\}$ est ?
- (a) 1.5
 - (b) 2
 - (c) 2.5
 - (d) 3
 - (e) 3.5



QCM 3

lundi 31 janvier 2022

Question 11

Au voisinage de 0, on a

a. $\ln(1+x) = 1+x - \frac{x^2}{2!} + \frac{x^3}{3!} + o(x^3)$

b. $\ln(1+x) = 1+x - \frac{x^2}{2} + \frac{x^3}{3} + o(x^3)$

c. $\ln(1+x) = 1+x - \frac{x^2}{2} + o(x^2)$

d. Aucune des autres réponses

Question 12

Au voisinage de 0, on a

a. $\sin(x) = x + o(x)$

b. $\sin(x) = 1+x - \frac{x^3}{3} + x^3\varepsilon(x)$ où $\lim_{x \rightarrow 0} \varepsilon(x) = 0$

c. $\sin(x) = 1 - \frac{x^2}{2} + o(x^2)$

d. Aucune des autres réponses

Question 13

Au voisinage de 0, on a

a. $\cos(x) = x - \frac{x^3}{3} + x^3\varepsilon(x)$ où $\lim_{x \rightarrow 0} \varepsilon(x) = 0$

b. $\cos(x) = x + x^2\varepsilon(x)$ où $\lim_{x \rightarrow 0} \varepsilon(x) = 0$

c. $\cos(x) = 1 - \frac{x^2}{2} + o(x^2)$

d. Aucune des autres réponses

Question 14

Au voisinage de 0, on a

- a. $e^x = x + o(x)$
- b. $e^x = x + \frac{x^2}{2} + \frac{x^3}{3!} + x^3\varepsilon(x)$ où $\lim_{x \rightarrow 0} \varepsilon(x) = 0$
- c. $e^x = 1 + x + \frac{x^2}{2} + \frac{x^3}{3!} + x^3\varepsilon(x)$ où $\lim_{x \rightarrow 0} \varepsilon(x) = 0$
- d. Aucune des autres réponses

Question 15

Considérons deux fonctions f et g dérivables une infinité de fois sur \mathbb{R} telles qu'au voisinage de 0 :

$$f(x) = 1 - \frac{x^2}{2} + o(x^2) \quad \text{et} \quad g(x) = 1 + x + \frac{x^2}{2} + o(x^2)$$

Alors,

- a. $f(x) - g(x) = x - x^2 + o(x^2)$
- b. $f(x) - g(x) = -x - x^2$
- c. $f(x) - g(x) = -x + o(x^2)$
- d. $f(x) - g(x) = -x - x^2 + o(x^2)$
- e. Aucune des autres réponses

Question 16

Considérons f dérivable une infinité de fois sur \mathbb{R} telle qu'au voisinage de 0, $f(x) = x - \frac{x^2}{2} + o(x^2)$. Alors,

$$f(2x) = 2x - x^2 + o(x^2)$$

- a. Vrai
- b. Faux

Question 17

Considérons une fonction f dérivable une infinité de fois sur \mathbb{R} telle qu'au voisinage de 0,

$$f(x) = 1 - 2x + 4x^2 + x^2\varepsilon(x) \quad \text{avec} \quad \lim_{x \rightarrow 0} \varepsilon(x) = 0$$

On a

- a. $f(0) = -2$
- b. $f'(0) = -2$
- c. $f''(0) = 8$
- d. $f''(0) = 2$
- e. Aucune des autres réponses

Question 18

Considérons une fonction f dérivable une infinité de fois sur \mathbb{R} telle qu'au voisinage de 0,

$$f(x) = 2x + 6x^2 + o(x^3)$$

On a

- a. $f(0) = 2$
- b. $f'(0) = 0$
- c. $f''(0) = 3$
- d. $f^{(3)}(0) = 0$
- e. Aucune des autres réponses

Question 19

Soit f une fonction définie et dérivable une infinité de fois sur \mathbb{R} . La formule de Taylor-Young à l'ordre 3 pour f au voisinage de 0 est

- a. $f(x) = f(x) + f'(x)x + \frac{f''(x)}{2}x^2 + \frac{f^{(3)}(x)}{3}x^3 + o(x^3)$
- b. $f(x) = f(0) + f'(0)x + \frac{f''(0)}{2}x^2 + \frac{f^{(3)}(0)}{3}x^3 + o(x^3)$
- c. $f(x) = f(0) + f'(0)x + \frac{f''(0)}{2!}x^2 + \frac{f^{(3)}(0)}{3!}x^3 + o(x^3)$
- d. Aucune des autres réponses

Question 20

On considère sur \mathbb{R} l'équation différentielle $(E) y'' + y = 2$. L'ensemble des solutions de (E) est formé des fonctions de la forme

- a. $x \mapsto k_1 e^x + k_2 e^{-x} + 2$ avec $(k_1, k_2) \in \mathbb{R}^2$.
- b. $x \mapsto k_1 e^x + k_2 e^{-x} + x$ avec $(k_1, k_2) \in \mathbb{R}^2$.
- c. $x \mapsto (k_1 x + k_2) e^x + 2$ avec $(k_1, k_2) \in \mathbb{R}^2$.
- d. $x \mapsto (k_1 x + k_2) e^x + x$ avec $(k_1, k_2) \in \mathbb{R}^2$.
- e. Aucune des autres réponses

Article 1 – ‘Your Face Is, or Will Be, Your Boarding Pass’

21. ‘Tech-driven changes are coming fast and furiously to airports, including advancements in biometrics that verify identity and shorten security procedures for those passengers who **opt into** the programs.’ – The phrase ‘*opt into*’ in this sentence comes closest in meaning to ____.

- A) Leave
- B) Exit
- C) Choose
- D) Abandon

22. ‘Biometric technology is soon going to be obligatory for all passengers at airports.’ – This statement is _____, according to the article.

- A) True
- B) False
- C) Partially true

23. Which of the following is not mentioned in the article ?

- A) Some airlines have already tried facial recognition for domestic boarding, mainly for business travellers.
- B) Biometric data is used by some companies for security clearance at the airports against some annual fees.
- C) Some airlines allow the use of facial recognition for boarding at some international airports in the US.
- D) Since the pandemic, a lot of companies have been using biometric cards for customers who want to do online shopping.

24. « Iris-scanning has been **touted** as the most foolproof. » - What does ‘*touted*’ not mean ?

- A) Discouraged
- B) Popular
- C) Acknowledged
- D) Preferred

25. This article is about _____. (choose the most appropriate option)

- A) The development of biometric technology before and after the pandemic.
- B) Privacy concerns in biometric technology.
- C) The use of biometrics at airports – before and after the pandemic.
- D) Facial recognition for border security.

Grammar chapter 3

26) Which sentence is grammatically INCORRECT?

- a) One day, I will be a great IT engineer.
- b) In 3 years, I'm going to be a great IT engineer.
- c) In the near future, he'll been a true professional.
- d) He will never become a true professional.

27) While I _____ in Europe next year, I _____ save money by staying in youth hostels.

- a) Will being, will
- b) Am going to go, am going to
- c) Am travelling, am going to
- d) Go, will

28) What _____ as soon as the class _____ today?

- a) Are you going to do, ends
- ~~b) Will you do, will end~~
- ~~c) Are you doing, will end~~
- ~~d) Are you going to do, will ends~~

29) Bob _____ the car after he _____ lunch.

- a) Cleans, has
- b) Will clean, will have
- ~~c) Is cleaning, is having~~
- d) Is going to clean, has

30) Which sentence is grammatically incorrect?

- a) Classes begin next week.
- b) During my international semester, I'm going to South Korea.
- c) I am seeing my doctor next Tuesday. I have an appointment.
- d) When you will get home, I will be sleeping.

The high price of multitasking by Daniel T. Willingham 15 July, 2019

1. Not only do smartphones provide unprecedented access to information, they provide unprecedented opportunities to multitask. Any activity can be accompanied by music, selfies or social media updates. Of course, some people pick poor times to tweet or text, and lawmakers have stepped in. Forty-eight states have banned texting while driving. In Honolulu, it's illegal to text or even look at your phone while crossing the street, and in the Netherlands they've banned texting while biking.
2. But legislation won't proscribe all situations in which multitasking is unwise; you need to self-regulate. Understanding how the brain multitasks and why we find multitasking so appealing will help you gauge the hazard of pulling out your phone.
3. Multitasking feels like doing two things simultaneously, so it seems the danger lies in asking one mental process to do two incompatible things — for texting drivers, watching the screen and the road. A lot of lawmakers must think that way, because 20 states have instituted bans on driving using a hand-held phone while still allowing hands-free calls. Yet hands-free or hand-held makes no difference — they impair driving equivalently as far as external hazards go. Why?
4. You actually manipulate your phone only briefly for voice calls. The real problem is the toggling of attention between the conversation and the road. Even simple tasks can't be done simultaneously; you switch between them, and that affects performance.
5. In a classic experiment, subjects viewed a digit-letter pair: for example, "C7." A signal instructed people to classify the letter as a vowel or non-vowel or the digit as odd or even. After the response, a new stimulus and a new signal appeared. When the classification task switched, people responded about 20 percent slower than when it was repeated, because switching requires extra steps: resetting your goal ("ignore digit, attend to letter") and reloading the mental rule ("judge it as vowel or consonant.")
6. The cost of shuffling goals and mental rules is harmless if there's predictable downtime during one or both tasks. As a conference call turns to an agenda item irrelevant to you, go ahead and answer email. Multitasking while driving is so dangerous because driving requires all of your attention at unpredictable times. People sense this, and when on the phone they drive slower and increase their following distance, but they are far too confident that these measures mitigate risk. Fifty-nine percent of adults, young and old, admit to using their phones while driving.
7. This overconfidence extends to other activities. A 2015 survey showed that a majority of students who use social media, text or watch TV while studying think that they can still comprehend the material they're studying.
8. This confidence is especially understandable for very simple tasks. Everyone knows texting behind the wheel is dangerous, but listening to music or chatting with a passenger seems so undemanding as to be innocuous. Yet both measurably compromise driving. If that's surprising, consider whether you've ever turned down the radio or shushed passengers when the road turned icy or when you were looking for an address.
9. Even walking, which feels like something we do on autopilot, is not immune. Experiments in virtual environments show that pedestrians are more likely to be hit by a vehicle when crossing the street if they are listening to music.
10. But people don't multitask solely because they see no harm in it; they perceive benefits. They say they multitask for efficiency, to fight boredom or to keep up with social media.
11. Music, likely the most common variety of multitasking, is added to tasks because it heightens arousal (for example, your heart rate increases), making it easier to stick with a long drive or a tedious textbook. Music was once common on factory assembly lines; the British Broadcasting Corporation offered a radio program for this purpose, "Music While You Work," from 1940 until 1967.
12. Thus, even if you fully appreciate the cognitive cost, you might tolerate it in exchange for the emotional lift. Parents disapprove when their child studies with deadmau5 blasting because they compare that with studying in silence. But the child calculates that without the music, he wouldn't study.

13. This trade-off of cognition and emotion suggests a few principles to better manage your multitasking.
14. First, hoping for efficiency by combining two pure productivity tasks — say, composing a letter while following a presentation — is folly. That's all cognitive cost and no emotional benefit.
15. Second, be realistic about what poor task performance (when driving, for example, or operating machinery) might mean, given that you're not as good at multitasking as you believe. If you're not ready to eliminate secondary tasks, at least be ready to ditch them in the moment. I don't expect music to disappear from cars, but consider hitting mute if traffic gets dense or road conditions worsen.
16. Third, see if you can get the emotional lift without the cognitive cost. Instead of multitasking, take more rest breaks, and get your social media fix during a break.
17. People will choose to multitask. But we should, at the very least, be fully aware of how that choice affects us and the potential consequences for ourselves and others. We need to pay attention to how much — or how little — we are paying attention.

31. How many of the states in the US have made texting while driving a car illegal?
- 43
 - All of them
 - 28
 - None of the above.
32. Which word in paragraph 2 means "to control one's own behavior"?
- To proscribe
 - To gauge
 - To self-regulate
 - None of the above.
33. In paragraph 2, the word "hazard" is closest in meaning to:
- Danger
 - Caution
 - Chance
 - Warning
34. In the experiment described in paragraph 5, people's performance slowed down when
- The signal disappeared too fast.
 - The signal was repeated too often.
 - The task became easier to accomplish.
 - The classification changed.
35. An "agenda item" in paragraph 6 refers to
- An appointment.
 - A point to be addressed in a meeting.
 - An important email.
 - An issue.
36. (Paragraph 6) According to the author, when can one switch to a different task?
- When the conference call is about email.
 - When answering email is the agenda item that is being discussed.
 - When the agenda item being discussed does not concern one.
 - None of the above.
37. (Paragraph 8) The fact that the drivers turn down the radio when the road is icy makes the author think:
- Drivers do not need the radio.
 - Listening to the radio is always dangerous.
 - Drivers know that the radio is a distraction.
 - The radio is a risk in winter.
38. (Paragraph 12) By "cognitive cost", the author means:
- the mental effort of concentration.
 - the concentration one loses due to doing several tasks simultaneously.
 - the efficiency one gains by doing several tasks simultaneously.
 - None of the above
39. (Paragraph 14) Which statement reflects the author's view of a "productivity task"?
- Composing a letter gives emotional benefit.
 - Composing a letter while following a presentation gives cognitive benefit.
 - Composing a letter while following a presentation has a high cognitive cost.
 - Following a presentation produces emotional benefit.
40. The author thinks...
- If people do not understand the risks of multitasking, they will stop doing it.
 - People will continue to multitask.
 - If people like the risks of multitasking, they will take breaks.
 - All of the above.

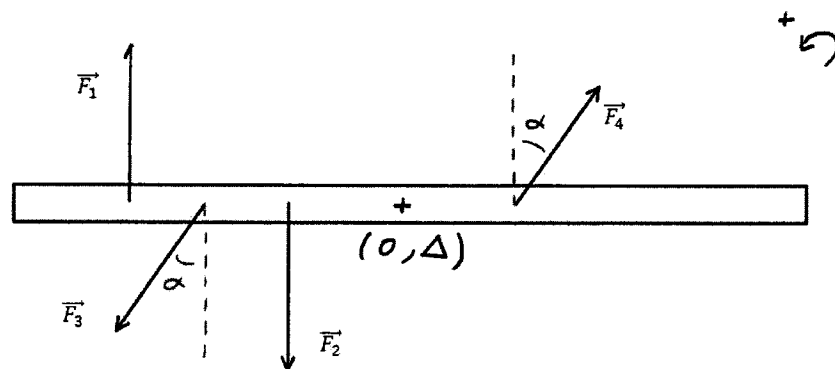
QCM Physique/Electronique – InfoS2

Pensez à bien lire les questions ET les réponses proposées

Q41. Choisir la bonne réponse.

- a. Un système quelconque est en équilibre statique lorsque la somme vectorielle des forces qui s'y appliquent est nulle.
- b. Un système quelconque est en équilibre statique lorsque la somme vectorielle des moments des forces par rapport au point pivot est nulle.
- c. Un système ponctuel est en équilibre statique lorsque la somme vectorielle des forces qui s'y appliquent est nulle.
- d. Un système non ponctuel est en équilibre statique lorsque la somme vectorielle des moments des forces par rapport au point pivot est nulle.

A un instant t , les forces s'appliquant sur une tige sont les suivantes (Q42&43) :



On donne : $\|\vec{F}_1\| = \|\vec{F}_2\| = \|\vec{F}_3\| = \|\vec{F}_4\| = F$

Q42. Pour la rotation autour de l'axe Δ , la force ayant le moment le plus faible est :

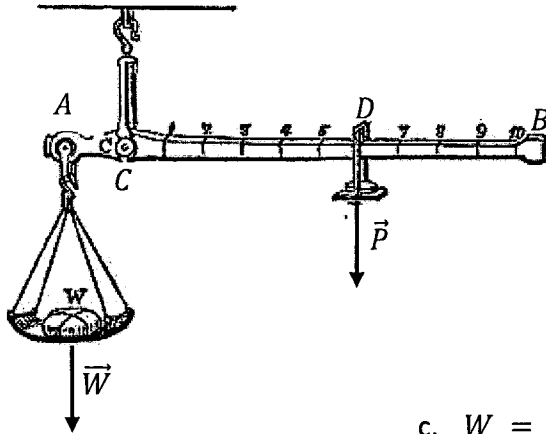
- a. \vec{F}_1 b. \vec{F}_2 c. \vec{F}_3 ? d. \vec{F}_4

Q43. Choisir la bonne réponse

- a. La tige est à l'équilibre statique.
- b. La tige va pivoter dans le sens direct.
- c. La tige va pivoter dans le sens indirect.
- d. On ne peut pas le déterminer.

Q44. Alors que le système est en équilibre statique, sur la partie droite de la balance, une graduation mesure $CD = 6 \times CA$, C étant le point d'appui de la balance (pivot).

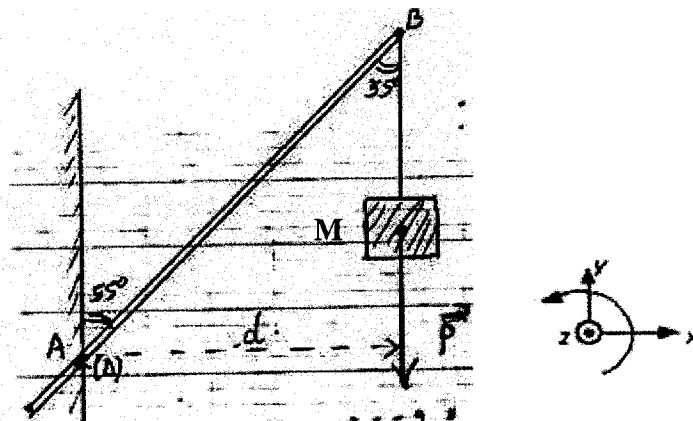
On donne $P = 10N$. Que vaut W le poids de l'objet dans la balance ? On négligera les frottements au point C .



- a. $W = 60 N$
- b. $W = 30 N$

- c. $W = 3,33 N$
- d. $W = 33,3 N$

Q45. On donne $\widehat{ABM} = 55^\circ$. Le moment vectoriel du poids dans la rotation de la tige autour de A vaut :



- a. $\overrightarrow{M_A(\vec{P})} = -P \times AB \times \sin(35^\circ) \vec{u}_z$
- b. $\overrightarrow{M_A(\vec{P})} = P \times d \times \sin(35^\circ) \vec{u}_z$
- c. $\overrightarrow{M_A(\vec{P})} = P \times BM \times \sin(55^\circ) \vec{u}_z$
- d. $\overrightarrow{M_A(\vec{P})} = -P \times AB \times \sin(55^\circ) \vec{u}_z$

Q46. Une résistance placée en série avec un générateur de courant modifie-t-elle l'intensité du courant délivré par ce générateur ?

a. OUI

b. NON

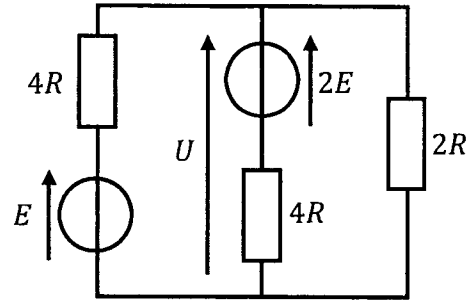
Q47. Quelle est la bonne formule ?

a. $U = \frac{3E}{4}$

b. $U = \frac{2E}{9}$

c. $U = 2E$

d. $U = \frac{3E}{2}$



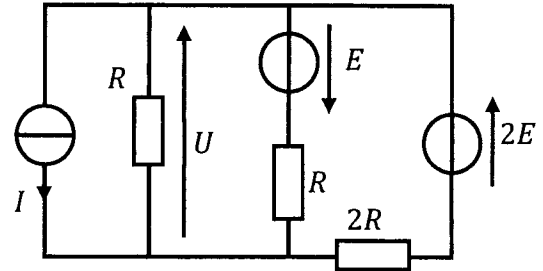
Q48. Quelle est la bonne formule ?

a. $U = \frac{E-2R.I}{5}$

b. $U = \frac{-2R.I}{3}$

c. $U = \frac{-2R.I}{5}$

d. $U = \frac{E-2R.I}{3}$



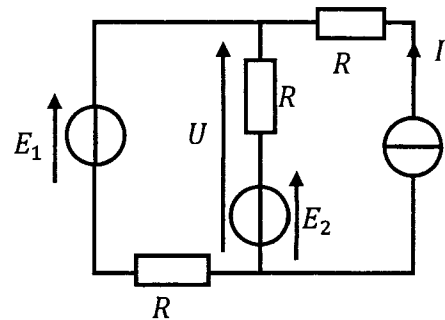
Q49. Quelle est la bonne formule ?

a. $U = \frac{E_1-E_2-R.I}{3}$

b. $U = \frac{R.I+E_1+E_2}{2}$

c. $U = \frac{R.I+E_1+E_2}{3}$

d. $U = E_1$



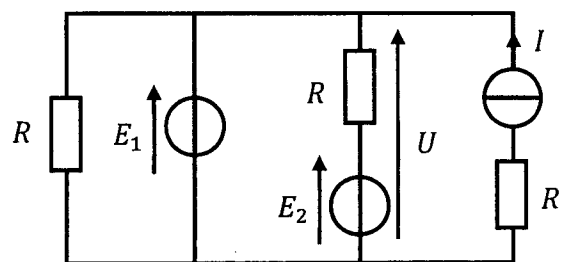
Q50. Quelle est la bonne formule ?

~~a.~~ $U = \frac{E_1-E_2-R.I}{3}$

b. $U = \frac{R.I+E_1+E_2}{2}$

c. $U = \frac{R.I+E_1+E_2}{3}$

d. $U = E_1$





1. A quel type de robotique s'intéresse essentiellement l'équipe SEALS ?
 - (a) la robotique d'invasion
 - (b) la robotique d'exploration
 - (c) la robotique d'exploitation

2. En général les données ramenées par les robots sont spatialisées sous forme ?
 - (a) de sons
 - (b) de textes
 - (c) d'images

3. Quelles matières sont nécessaires à la conception de plateformes d'exploration ?
 - (a) la mécanique
 - (b) la programmation embarquée
 - (c) l'électronique

4. Sur quel thème porte la thèse de Charles VILARD ?
 - (a) La robotique marine
 - (b) La robotique sous-marine
 - (c) La robotique aérienne
 - (d) La robotique spatiale

5. Les robots tirant leurs aspects et fonctionnements de la nature sont appelés ?
 - (a) robots bio-inspirés
 - (b) robots bio-sensibles
 - (c) robots bio-ressemblants
 - (d) robots bio-résistants
 - (e) robots bio-aspirants

6. Pour la géo-localisation, quel problème est posé par le milieu aquatique ?
 - (a) pas d'ondes radio
 - (b) pas d'ondes sonores

7. Parmi les suivantes, quelles tâches font parties des tâches dites 4D ?
 - (a) les tâches pénibles
 - (b) les tâches sales
 - (c) les tâches lentes
 - (d) les tâches dangereuses
 - (e) les tâches répétitives

8. La robotique sociale est une sous-branche de ?
- (a) La robotique associative
 - (b) La robotique explorative
 - (c) La robotique participative
 - (d) La robotique collaborative
9. Quels types de robots sont utilisés pour inspecter les tuyaux ?
- (a) les serpents articulés
 - (b) les robots magnétiques
 - (c) les robots radio-actifs
 - (d) les nano-robots
10. Quelle force est utilisé pour faire bouger les nano-robots ?
- (a) La force quantique
 - (b) La force magnétique
 - (c) La force gravitationnelle

QCM 3

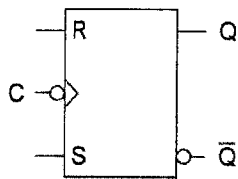
Architecture des ordinateurs

Lundi 31 janvier 2022

Pour toutes les questions, une ou plusieurs réponses sont possibles.

11. $101,1001_2 =$
- A. $5,625_{10}$
 - B. $5,3125_{10}$
 - C. Aucune de ces réponses.
 - D. $5,5625_{10}$
12. $0,000011_2 =$
- A. Aucune de ces réponses.
 - B. $0,09375_{10}$
 - C. $0,046875_{10}$
 - D. $0,078125_{10}$
13. En simple précision, quelle est la valeur maximum du champ E pour un codage à mantisse normalisée ?
- A. 127
 - B. 255
 - C. 0
 - D. 254
14. En simple précision, quelle est la valeur maximum de l'exposant (e) pour un codage à mantisse normalisée ?
- A. Aucune de ces réponses.
 - B. 0
 - C. 127
 - D. 254
15. En simple précision, quelle est la valeur de l'exposant (e) pour un codage à mantisse dénormalisée ?
- A. -126
 - B. Aucune de ces réponses.
 - C. 127
 - D. 0

16. Que représente le symbole ci-dessous ?



- A. Une bascule RS maître-esclave.
 - B. Une bascule RS synchronisée sur état.
 - C. Une bascule RS synchronisée sur front descendant.
 - D. Aucune de ces réponses.
17. Une bascule RS asynchrone (R et S sont actifs à l'état haut) peut être fabriquée à l'aide de :
- A. Deux portes NON-ET.
 - B. Deux portes NON-OU.
 - C. Deux portes OU EXCLUSIF.
 - D. Une porte NON-OU et une porte NON-ET.
18. Lorsque les entrées R et S d'une bascule RS asynchrone active à l'état haut sont à 0 :
- A. La sortie ne change pas.
 - B. La sortie est inversée.
 - C. Cet état est interdit.
 - D. Aucune de ces réponses.
19. Lorsque les entrées \bar{R} et \bar{S} d'une bascule $\bar{R}\bar{S}$ asynchrone sont à 0 :
- A. La sortie ne change pas.
 - B. La sortie est inversée.
 - C. Cet état est interdit.
 - D. Aucune de ces réponses.
20. Une bascule RS maître-esclave :
- A. Copie l'entrée R sur la sortie Q à chaque front montant de l'horloge.
 - B. Peut modifier la sortie Q uniquement sur les fronts descendants de l'horloge.
 - C. Peut modifier la sortie Q uniquement sur les fronts montants de l'horloge.
 - D. Peut modifier la sortie Q sur les fronts montants et descendants de l'horloge.